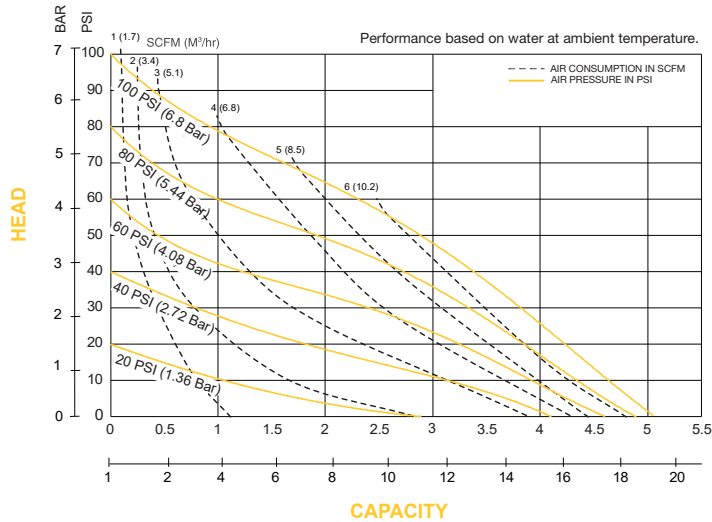


# E6 DATA SHEET

## SPECIFICATIONS & PERFORMANCE

# 1/4" Clamped Plastic with Plastic Center Sections

### PERFORMANCE



### SPECIFICATIONS

#### Flow Rate

Adjustable to . . . . . 0-5 gpm (19 lpm)

#### Port Size

Suction . . . . . 1/4" NPT (BSP)

Discharge . . . . . 1/4" NPT (BSP)

Air Inlet . . . . . 1/4" NPT

Air Exhaust . . . . . 1/4" NPT

#### Suction Lift

Dry . . . . . 8' (2.44 m)

#### Max Solid Size (Diameter)

. . . . . 1/32" (1 mm)

Max Noise Level . . . . . 78 dB(A)

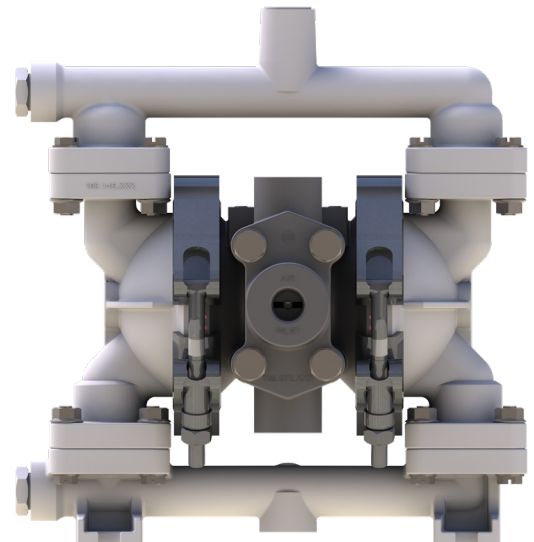
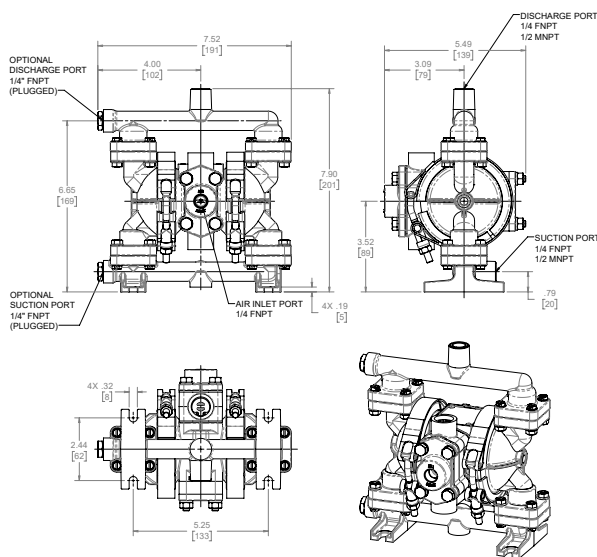
#### Shipping Weights

Polypropylene . . . . . 3.3 lbs (1.5 kg)

Kynar . . . . . 3.9 lbs. (1.8 kg)

NOTE: Performance based on the following: elastomeric fitted pump, flooded suction, water at ambient conditions. The use of other materials and varying hydraulic conditions may result in deviations in excess of 5%.

### DIMENSIONS



# VERSAMATIC®

Warren Rupp, Inc. | A Unit of IDEX Corporation  
800 North Main Street | Mansfield, OH 44902 USA  
Phone: 419.526.7296 | Fax: 419.526.7289

[VERSAMATIC.COM](http://VERSAMATIC.COM)

e6nmdlCds-rev0519

©Copyright 2019 Warren Rupp, Inc. All Rights Reserved.