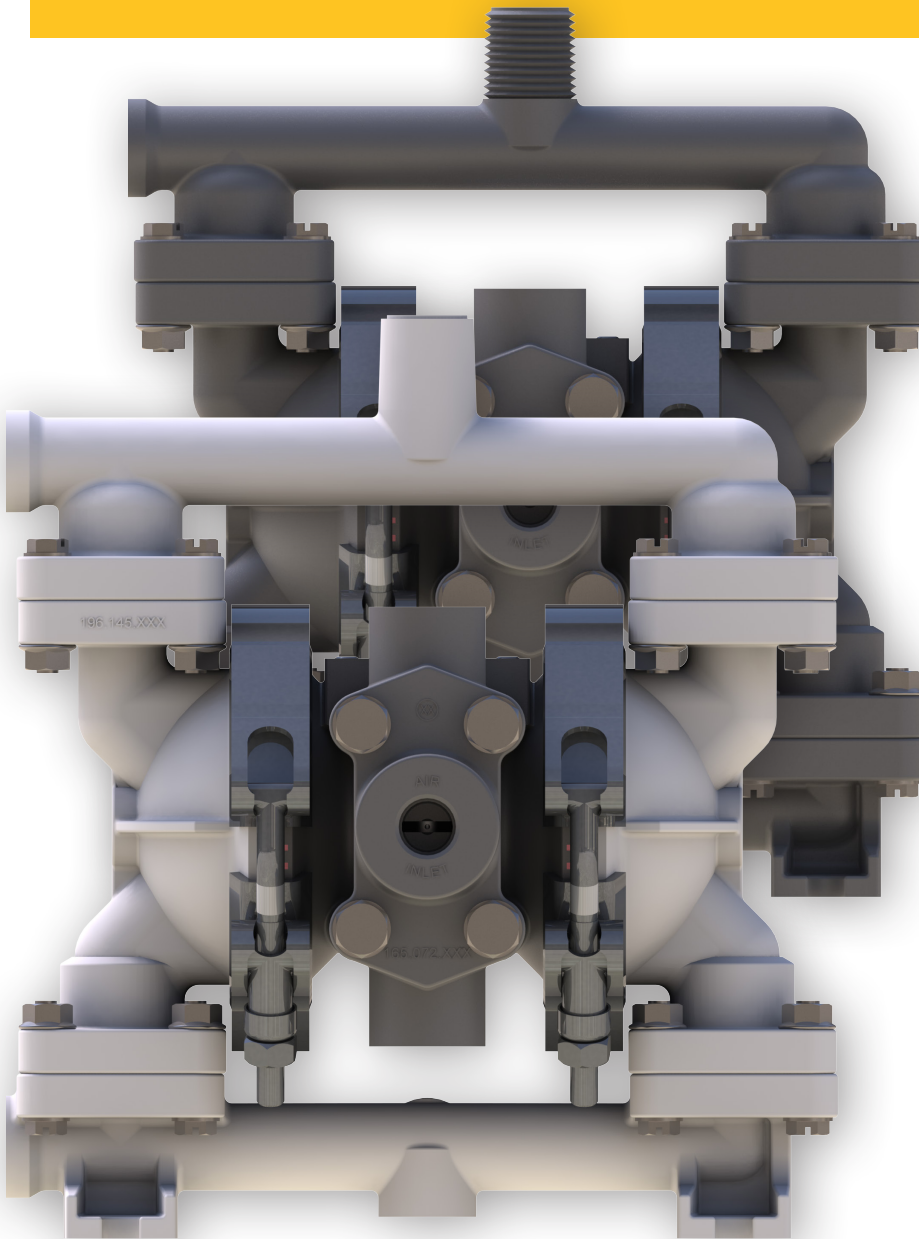


1/4" PLASTIC AND METAL PUMP

AIR OPERATED DOUBLE DIAPHRAGM (AODD) PUMP

CE



- Ink & Pigment Dispensing
- Car Wash Applications
- Oil and Quck Lube Applications
- Chemical Batching / Dosing
- Drum / Pail Transfer
- Adhesive Dispensing



VERSAMATIC[®]
PUMPING MADE EASY

SPECIFICATIONS

PERFORMANCE:

Flow Rate

Adjustable to 0-5 gpm (19 lpm)

Port Size

Suction 1/4" NPT Internal, 1/2" NPT External

Discharge

. . . 1/4" NPT Internal, 1/2" NPT External

Air Inlet 1/4" NPT

Air Exhaust 1/4" NPT

Suction Lift

Dry 8' (2.44 m)

Max Solid Size (Diameter)

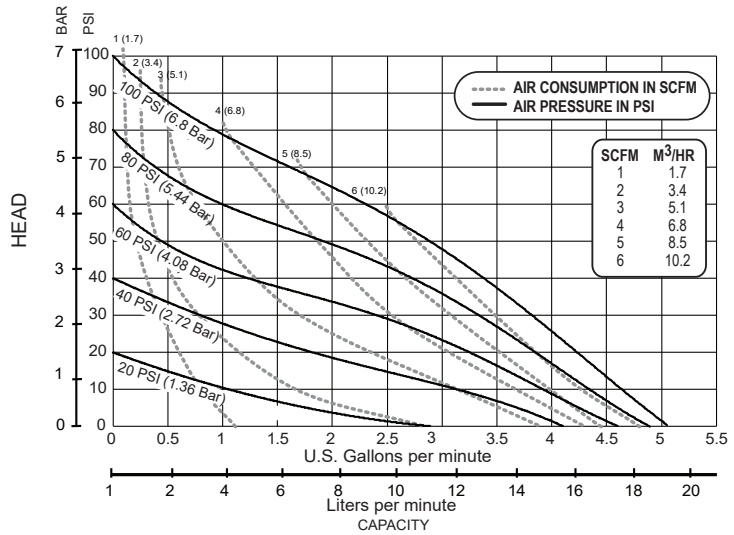
. 1/32" (1 mm)

Max Noise Level 78 dB(A)

Shipping Weights

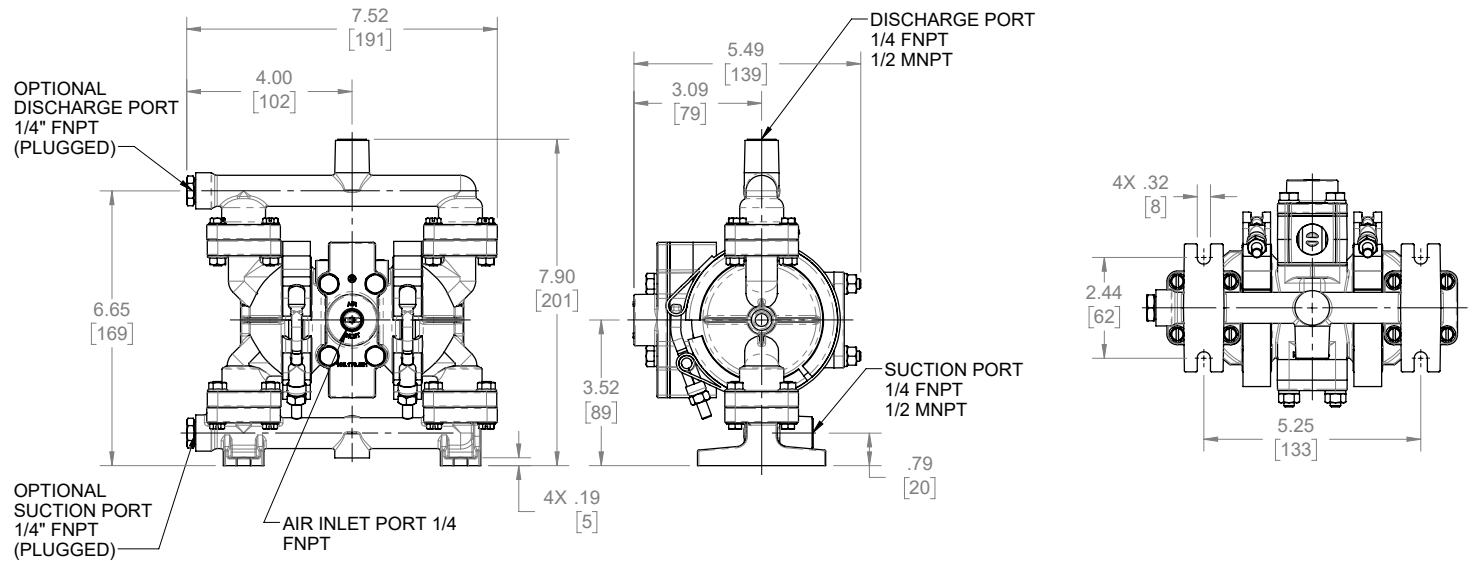
Conductive Acetal 3.9 lbs. (1.8kg)

CURVE:



NOTE: Performance based on the following: elastomeric fitted pump, flooded suction, water at ambient conditions. The use of other materials and varying hydraulic conditions may result in deviations in excess of 5%.

DIMENSIONAL DRAWINGS:



Warren Rupp, Inc. | A Unit of IDEX Corporation
 800 North Main Street | Mansfield, OH 44902 USA
 Phone: 419.526.7296 | Fax: 419.526.7289



VM_E6bro-rev0923