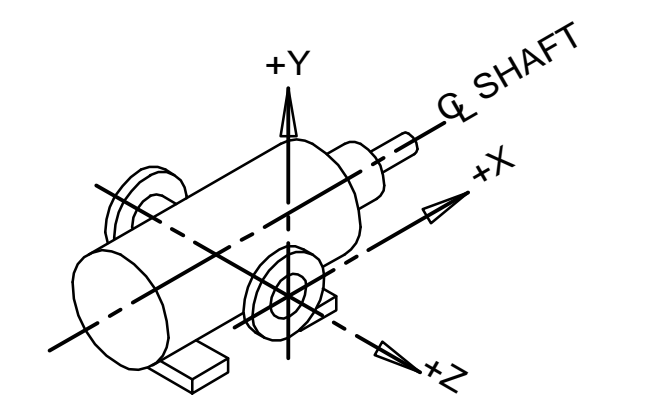
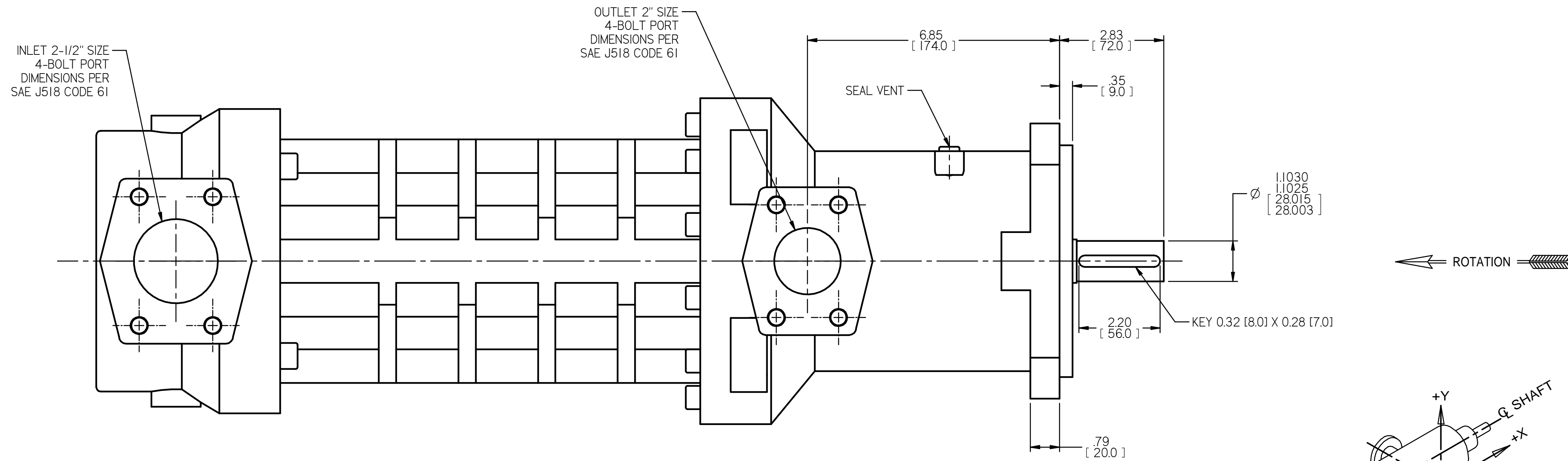


THE INFORMATION CONTAINED IN THIS DOCUMENT IS THE CONFIDENTIAL AND PROPRIETARY INFORMATION OF CIRCOR INTERNATIONAL AND/OR ITS AFFILIATES OR RELATED PARTIES ("CIRCOR"). THE DOCUMENT WILL NOT BE REPRODUCED, COPIED OR SHARED (IN WHOLE OR IN PART) WITHOUT THE PRIOR WRITTEN PERMISSION OF CIRCOR, AND WILL ONLY BE USED FOR CONDUCTING BUSINESS WITH CIRCOR.

REVISION HISTORY					
CHG NO	ZONE	REV	DESCRIPTION	DATE	BY / APPROVED



**INLET:**  
 FX= 188 LBF 836 N    MX= 313 LB FT 424 N.m  
 FY= 188 LBF 836 N    MY= 313 LB FT 424 N.m  
 FZ= 188 LBF 836 N    MZ= 313 LB FT 424 N.m

**OUTLET:**  
 FX= 150 LBF 667 N    MX= 250 LB FT 339 N.m  
 FY= 150 LBF 667 N    MY= 250 LB FT 339 N.m  
 FZ= 150 LBF 667 N    MZ= 250 LB FT 339 N.m

FORCE AND MOMENT VALUES ARE RELATIVE TO CENTER OF INLET AND OUTLET PORT FACES.

**DRAWING CERTIFICATION**

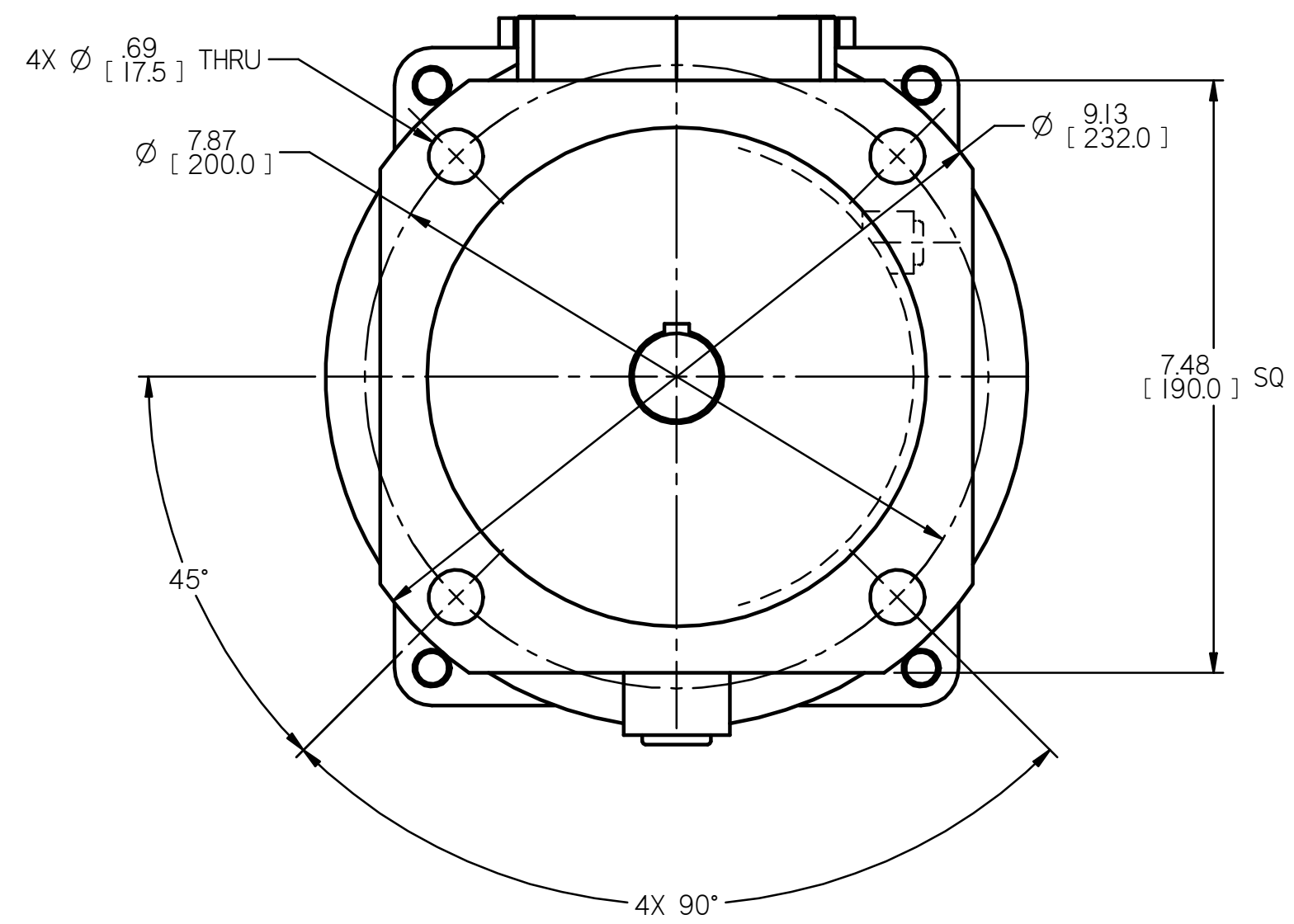
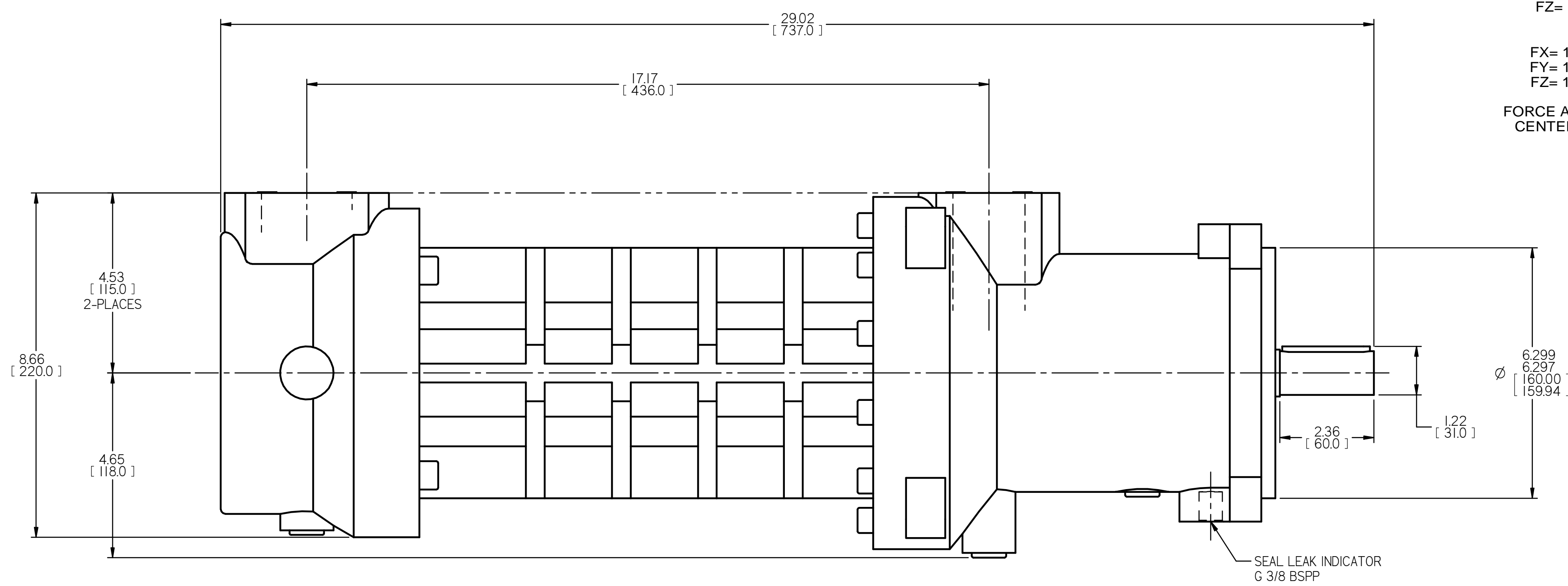
12 O'CLOCK  
 9 O'CLOCK      3 O'CLOCK  
 6 O'CLOCK  
 PUMP SHAFT

\*\*\* SEE NOTES 1, 2, & 3 \*\*\*

CUSTOMER NAME :  
 CUSTOMER PURCHASE ORDER NUMBER :  
 CUSTOMER PART NUMBER :  
 BILL OF MATERIAL NUMBER :  
 PUMP TYPE :  
 SHAFT ROTATION :  
 INLET PORT ORIENTATION :  
 OUTLET PORT ORIENTATION :  
 INLET PORT OPTION :  
 INLET ADAPTER OPTION :  
 OUTLET ADAPTER OPTION :

**OTHER INFORMATION**

CERTIFIED BY  
 CERTIFIED DATE  
 ORDER NUMBER  
 DATA REVISION NUMBER



NOTES:  
 1. UNLESS OTHERWISE SPECIFIED, ALL DIMENSIONS ARE IN INCHES. DIMENSIONS IN [ ] ARE MILLIMETERS.

DRAWN	ERH	7-3-19		
CHECKED	ERH	7-9-19		
APPD	TDJ	7-9-19		
UNLESS OTHERWISE SPECIFIED ASME Y14.5M-1994 1. ALL DIMENSIONS ARE IN INCHES. 2. FRACTIONAL = 1/32 OR MACHINED DIMENSIONS. 3. HOLES AND COUNTERBORES TO ES 3.14. 4. UNTOLERANCED DECIMAL DIMENSIONS ARE ±.031. 5. MACHINED SURFACES 25μ FINISH. 6. BREAK SHARP CORNERS .015 ± .005. 7. CHAMFERS AND RADIUSES: THIN .60 ± .015. 8. ANGLES ±0.5° CHAMFERS ±5.0°. 9. SCREW THDS. TO ANSI B11 (CL. 1, 2 OR 3). 10. TAPERED PIPE THDS. TO ANSI B20.1.			<b>TITLE</b> OUTLINE STANDARD LB6DVC-217_	
FIRST ORDER ID 3247		SIZE <b>D</b>	CAGE CODE 59180	DWG NO SDD21717
USED ON 3226/300		SCALE 1/2	WEIGHT 209 LBS [95 kg]	SHEET 1 OF 1